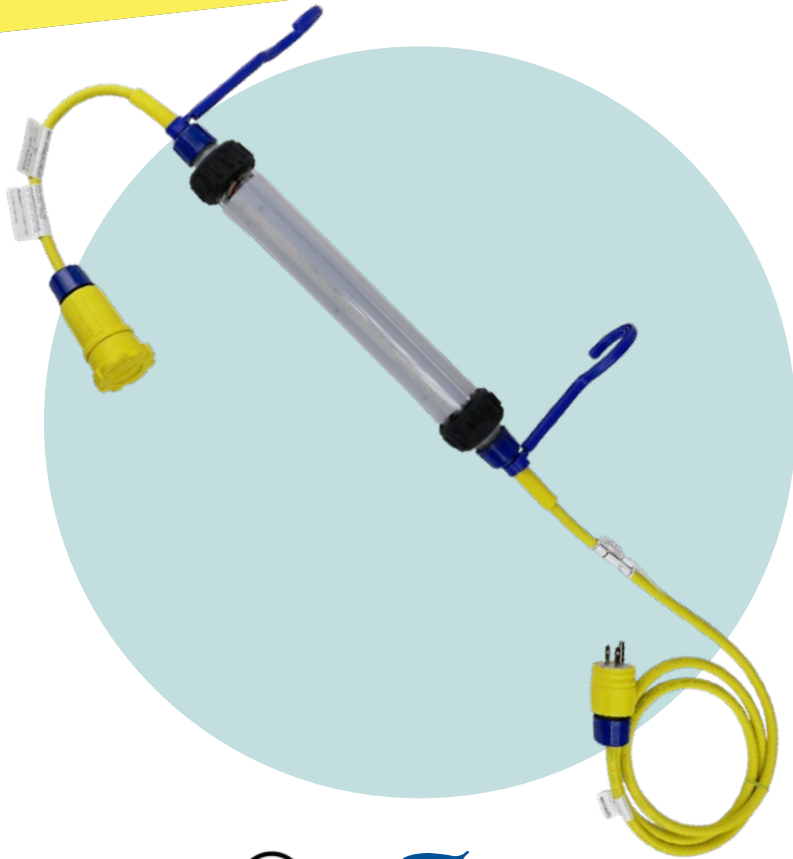


# WL LED Series Industrial Handlamps

## Jobsite Lighting



### Standard Features:

- cETLus listed
- Suitable for outdoor use in wet locations
- Driver range of 100-277 volts at 50/60 Hz
- Beam angle available in 200° and 360°
- High impact, shatter-proof tube with replaceable frosted or clear tube shield
- Provided with 15A, 125V, water-tight plug & feed-thru water-tight connector

### Optional Features:

- Replaceable frosted or clear tube shield protector
- NEMA plug, configurations available
- Custom cable length, color and labeling available
- Contact Ericson for custom configurations

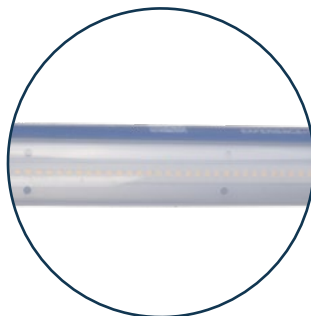
### Market Applications:

- Maintenance Task Lighting
- Confined Space Entry
- Aerospace
- Food & Beverage
- Ship Building
- Petrochemical
- Power Generation
- Mining
- Emergency Response
- Military Applications

### Unique Features:



Wet location rated



High impact, shatter-proof tube with replaceable frosted tube shield



Rugged End Cap with Non metallic S-hook



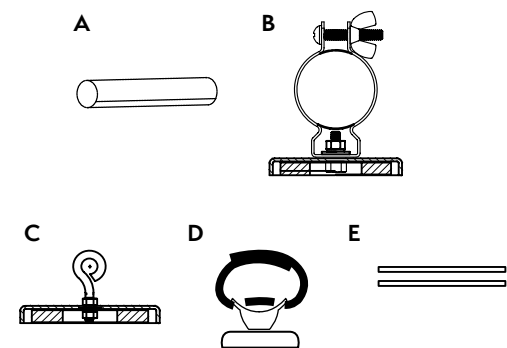
Watertight plug and feed-thru watertight connector

## WL Series Selection Guide:

Part Number	Lamp Size	Total Net Lumens	16/3 SOOW Yellow Cord Length	Handlamp LED Type	Beam Angle	Electric Rating	Color
WL11-16306Y-1-D*	11"	1800	6	Directional	200	120V, 0.10A, 50/60HZ	4000K
WL11-16306Y-1-360*	11"	1800	6	Omni-directional	360	120V, 0.10A, 50/60HZ	4000K
WL11-16325Y-1-D*	11"	1800	25	Directional	200	120V, 0.10A, 50/60HZ	4000K
WL11-16325Y-1-360*	11"	1800	25	Omni-directional	360	120V, 0.10A, 50/60HZ	4000K
WL11-16350Y-1-D*	11"	1800	50	Directional	200	120V, 0.10A, 50/60HZ	4000K
WL11-16350Y-1-360*	11"	1800	50	Omni-directional	360	120V, 0.10A, 50/60HZ	4000K
WL22-16306Y-1-D	22"	3800	6	Directional	200	120V, 0.21A, 50/60HZ	4000K
WL22-16306Y-1-360	22"	4000	6	Omni-directional	360	120V, 0.21A, 50/60HZ	4000K
WL22-16325Y-1-D	22"	3800	25	Directional	200	120V, 0.21A, 50/60HZ	4000K
WL22-16325Y-1-360	22"	4000	25	Omni-directional	360	120V, 0.21A, 50/60HZ	4000K
WL22-16350Y-1-D	22"	3800	50	Directional	200	120V, 0.21A, 50/60HZ	4000K
WL22-16350Y-1-360	22"	4000	50	Omni-directional	360 </tr		

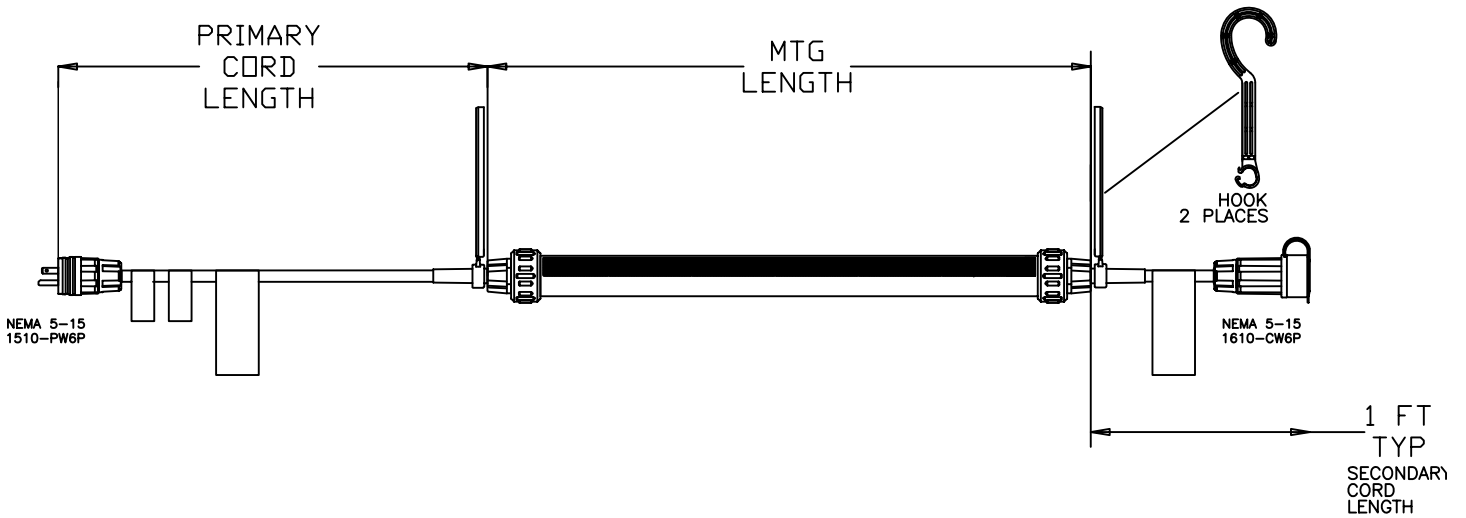
## Accessories:

Part Number	Description	Image Reference
TS-XX** -F	Protective Frosted Tube Shield Lens Cover 4-Pack	A
TS-XX**	Protective Clear Tube Shield Lens Cover 4-Pack	A
MOUNT-MAG-CLAMP	Mount Magnet 2-Pack with Tube Clamp	B
MOUNT-MAG-HOOK	Mount Magnet 2-Pack with Tube Clamp with Hookeye	C
MOUNT-MAG-STRAP	Mount Magnet 2-Pack with 8" Velcro Strap	D
MOUNT-STRAP-18	Mount Velcro Strap 2-Pack 18x3/4" Black 2-Pack	E
RFID-TAG-C-10	RFID Cord Tag 10-Pack Kit	-



\*\* For TS-XX Series insert 14 for WL11 and 24 for WL22.

## WL Product Dimensions:



## Related Products:

Click on an image or scan the QR Code for more product information.



[HL Series](#)  
LED Landlamp



1140/1239  
Wide Area Fixtures



SL Series  
LED Industrial Stringlight



SL HAZ  
Hazardous Location  
Stringlight